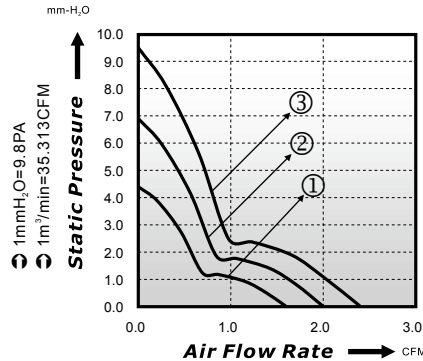


# 20x20x10mm

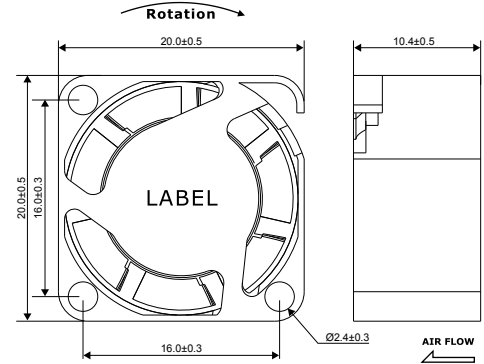


## ■ P-Q Curve (At Rated Voltage)



## ■ Dimensions Drawing

Unit: (mm)



Model No	Bearing (*)	Rated Voltage (VDC)	Rated Current (A)	Power Consumption (Watts)	Speed (rpm)	Air Flow (CFM)	Static Pressure (mmH <sub>2</sub> O)	Noise (dBA)	Curve
ED02010-05L*	○ ● ⊖	5	0.12	0.60	13000	1.6	4.4	31.0	1
ED02010-05M*	○ ● ⊖	5	0.16	0.80	16000	2.0	6.9	35.5	2
ED02010-05H*	○ ● ⊖	5	0.25	1.25	19000	2.4	9.5	39.5	3
ED02010-12L*	○ ● ⊖	12	0.05	0.60	13000	1.6	4.4	31.0	1
ED02010-12M*	○ ● ⊖	12	0.07	0.84	16000	2.0	6.9	35.5	2
ED02010-12H*	○ ● ⊖	12	0.11	1.32	19000	2.4	9.5	39.5	3

\* Bearing Type: ○ Sleeve ● Two Ball ⊖ Hydro-Dynamic